

BrewRO™ System Instruction Manual

Read all instructions before assembly and use of product.

**IMPORTANT: KEEP INSTRUCTIONS FOR
FUTURE REFERENCE**

© 2016 HbrewO Systems.

Printed in the United States

Table of Contents

Requirements	4
First Time Set-Up.....	6
Faucet.....	8
Hose	11
Regular Use - Set Up	15
Faucet.....	16
Hose	19
Regular Use - Set Up	21
Storage of BrewRO™ System	25
Filter Changes	26
RO Membrane Replacement.....	30
F.A.Q.....	32
Warranty	34
Notes	36

Requirements

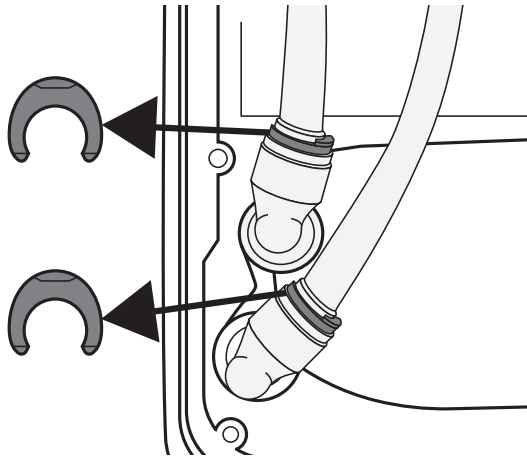
- Only use with potable water sources
- Never use with water that is microbiologically unsafe.
- Never exceed (125) PSI (pounds-per-square-inch).
- Only use the system for its intended use.
- Never remove, replace, or modify system components before consulting the instruction manual.
- Store system, closed, in an environment that is free from contamination, and temperature between (35) and (100) °F.
- Before use, disinfect every component that may come in contact with treated water.

It is the responsibility of the purchaser to protect the BrewRO™ System during storage to maintain equipment warranty.

First Time Set-Up

When using the system for the first time or after a filter change, please follow these instructions before regular use instructions. Before use, disinfect every component that may come in contact with treated water.

1. Ensure all tubing is connected safely by pulling lightly on each end meeting a filter or connection piece.
2. If a tube becomes loose, remove the collet locks on the quick connects. Firmly push the tube into the filter or connection piece, and pull lightly to ensure proper connection. Gently push the collet locks into the groove between the quick connect lip and quick connect base.



3. Push the white tubing provided into the white input connector on the outside of the case. Firmly push it into the filter or connection piece, and pull lightly to ensure proper connection.

4. Push the blue tubing provided into the blue output connector on the outside of the case. Firmly push it into the filter or connection piece, and pull lightly to ensure proper connection.
5. Push the red tubing provided into the red output connector on the outside of the case. Firmly push it into the filter or connection piece, and pull lightly to ensure proper connection.
6. Ensure proper tubing connection by pulling lightly on each of the (3) tubes.
7. Ensure the water is properly disinfected. Most municipal water is disinfected by chlorination, you can research your water quality by viewing the **Consumer Confidence Report** from the local water municipality. If using well water, ensure the well has been properly disinfected.
8. Ensure the water pressure is more than (30) PSI but less than (125) PSI.

For using a faucet as a water source, go to "Faucet" on page 8.

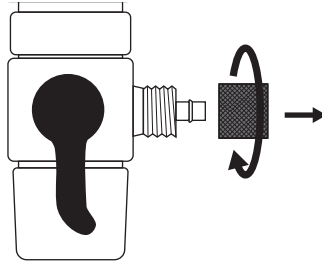
For using a hose as a water source, go to "Hose" on page 11.

First Time Set-Up

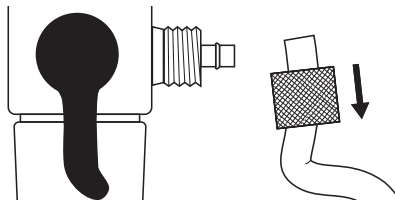
Faucet

If planning to connect to a faucet, follow these instructions.

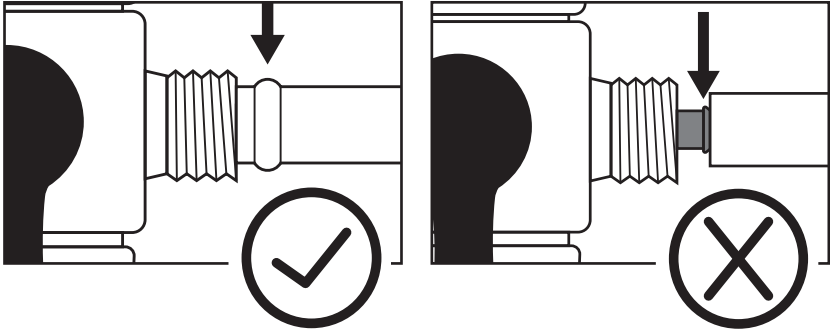
1. Leave the water to the faucet off.
2. Connect the BrewRO™ Faucet Adaptor to a sink faucet by unscrewing the faucet aerator, screw in the connector piece provided, and screw on the faucet diverter connector piece provided.
3. Ensure the faucet lever is securely tightened.
4. Unscrew the shoulder cover on the faucet diverter.



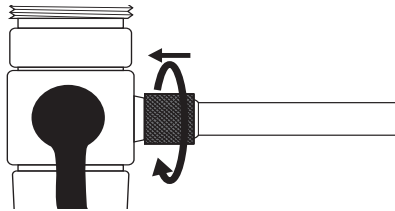
5. Push the shoulder cover over the white tube from the BrewRO™ System so the threads face the end of the white tube.



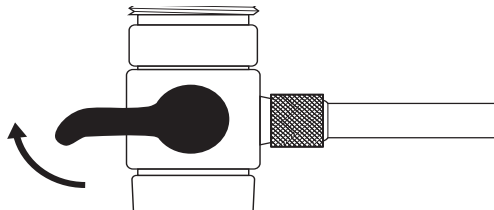
6. Firmly push the white tube from the BrewRO™ system completely over the shoulder



7. Screw the shoulder cover tightly over the shoulder and white tube.



8. Turn the lever so that it is perpendicular with the BrewRO™ Faucet Adaptor.



9. Place the red and blue tubes into the sink bowl. **Never place the red or blue tube directly into the drain and ensure water does not overflow from the drain when operating the BrewRO™ system. Follow your state laws regarding air gap requirements for discharge.**
10. Place the end of the blue tube into the sink, until the system has run for at least (5) minutes.

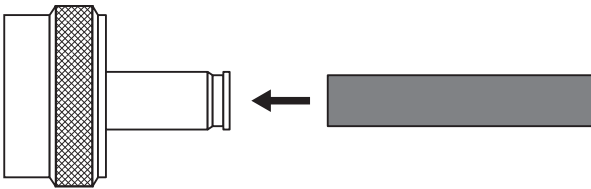
Continue setup with "First Time Set-Up - Continued" on page 13

First Time Set-Up

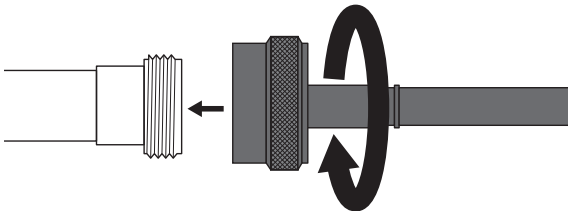
Hose

If planning to connect to a water hose, please follow these instructions.

1. Leave the water for the hose off.
2. Ensure the hose is a drinking water safe water hose (e.g. RV Hose, Camper Hose, etc.).
3. Push the white tube connected to the BrewRO™ System into the hose connector. Pull lightly to ensure proper connection.

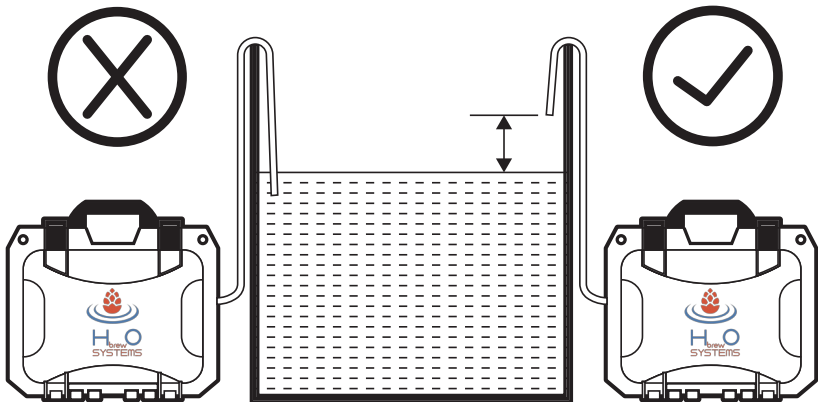


4. Connect the water hose to the hose connector by screwing it onto the hose firmly. Make sure your hose threads are not bent or degraded to ensure a proper connection. **Check to make sure O-ring is intact.**



5. Place the end of the red tube outside a storm drain, garden, water reclamation bucket, or watering can. **Never place the red or blue tube directly into the drain and ensure water does not overflow from the drain when operating the BrewRO™ system. Follow your state laws regarding air gap requirements for discharge.**
6. Place the end of the blue tube into an outdoor drain, until the system has run for at least (5) minutes.

IMPORTANT: Ensure the ends of the Red Tube and Blue Tube do not become submerged below the waterline in the large bucket or sink.



Continue setup with "First Time Set-Up - Continued" on page 13.

First Time Set-Up - Continued

1. Very slowly, turn the water on about half way.
2. Wait (5) minutes to ensure that there are no leaks in the system.
3. Very slowly, turn the water on to full.
4. Wait (5) minutes to ensure there are no leaks in the system.
5. It may take up to (5) minutes for pressure to build in the system.

IMPORTANT: LEAKS MAY OCCUR DURING PRESSURIZATION

If a leak occurs during pressurization, shut the water off completely, and wait (5) minutes for the system to depressurize before disconnecting any parts. Retest the tube connections.

6. Water will flow from both the red and blue tubing.
Black or foggy water output is normal during initial system setup.
7. The System must flush for (30) minutes to ensure that all loose carbon filaments, filter media and protective coatings are removed. Do not let your bucket overflow, only pour this water down a sewage drain.
8. After 30 Minutes, take a cup sized sample from the blue tube and confirm with a TDS (Total Dissolved Solids) meter that your water is under (3) PPM (parts per million). This will indicate the system is done flushing.

9. Continue flushing if the TDS has not reached (3) PPM.
10. Initial setup is complete. The BrewRO™ System can now be used or stored. If the Brew RO System is to be stored, follow the instructions "Storage of BrewRO™ System" on page 25.

Regular Use - Set Up

Before use, disinfect every component that may come in contact with treated water.

1. Ensure all tubing is connected safely by pulling lightly on each end meeting a filter or connection piece.
2. If a tube becomes loose, firmly push it into the filter or connection piece, and pull lightly to ensure proper connection.
3. Push the white tubing provided into the white input connector on the outside of the case.
4. Push the blue tubing provided into the blue output connector on the outside of the case.
5. Push the red tubing provided into the red output connector on the outside of the case.
6. Ensure proper tubing connection by pulling lightly on each of the (3) tubes.
7. Ensure the water is properly disinfected. Most municipal water is disinfected by chlorination, you can research your water quality by viewing the **Consumer Confidence Report** from the local water municipality. If using well water, ensure well has been properly disinfected.
8. Ensure your water pressure is higher than (30) PSI but less than (125) PSI.

For using a faucet as a water source, go to "Faucet" on page 15.

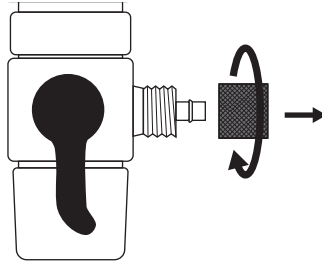
For using a hose as a water source, go to "Hose" on page 15.

Regular Use - Set Up

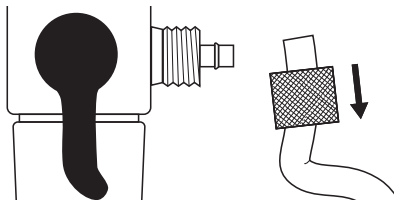
Faucet

If planning to connect to a faucet, follow these instructions.

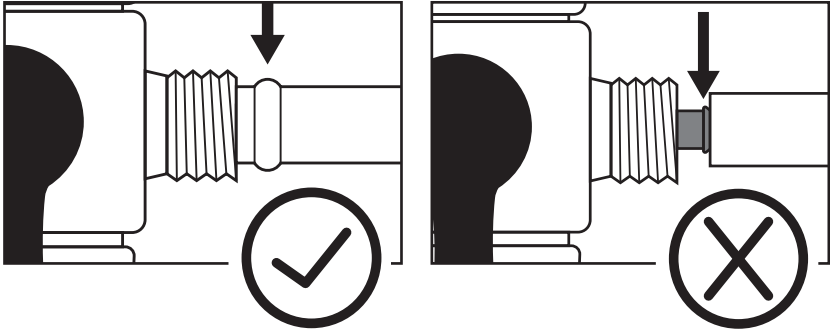
1. Leave the water to the faucet off.
2. Connect the BrewRO™ Faucet Adaptor to a sink faucet by unscrewing the faucet aerator, screw in the connector piece provided, and screw on the faucet diverter connector piece provided.
3. Ensure the faucet lever is securely tightened.
4. Unscrew the shoulder cover on the faucet diverter.



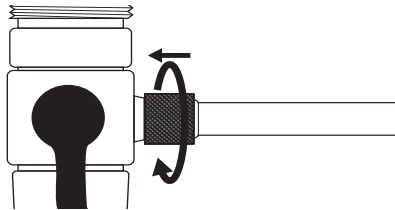
5. Push the shoulder cover over the white tube from the BrewRO™ System so the threads face the end of the white tube.



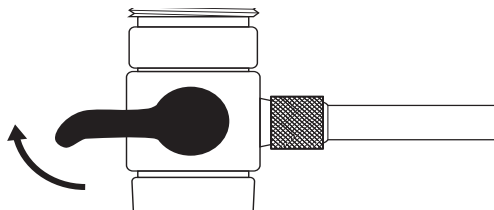
6. Firmly push the white tube from the BrewRO™ system completely over the shoulder



7. Screw the shoulder cover tightly over the shoulder and white tube.



8. Turn the lever so that it is perpendicular with the BrewRO™ Faucet Adaptor.



9. Place the red and blue tubes into the sink bowl. **Never place the red or blue tube directly into the drain and ensure water does not overflow from the drain when operating the BrewRO™ system. Follow your state laws regarding air gap requirements for discharge.**
10. Place the end of the blue tube into the sink, until the system has run for at least (5) minutes.

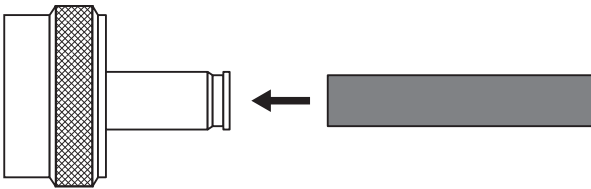
Continue setup with "Regular Use - Continued" on page 21.

Regular Use - Set Up

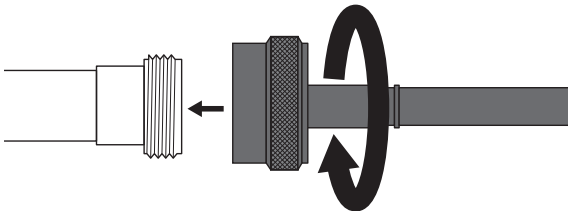
Hose

If planning to connect to a water hose, please follow these instructions.

1. Leave the water for the hose off.
2. Ensure the hose is a drinking water safe water hose (e.g. RV Hose, Camper Hose, etc.).
3. Push the white tube connected to the BrewRO System into the hose connector. Pull lightly to ensure proper connection.

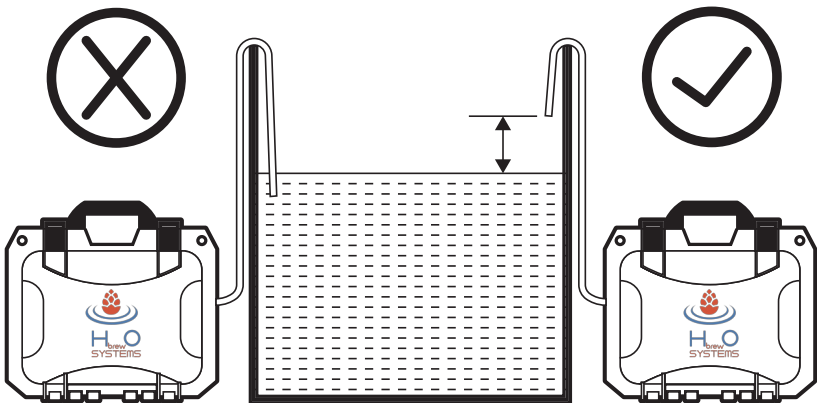


4. Connect the water hose to the hose connector by screwing it onto the hose firmly. Make sure your hose threads are not bent or degraded to ensure a proper connection. **Check to make sure O-ring is intact.**



5. Place the end of the red tube outside a storm drain, garden, water reclamation bucket, or watering can. **Never place the red or blue tube directly into the drain and ensure water does not overflow from the drain when operating the BrewRO system. Follow your state laws regarding air gap requirements for discharge.**
6. Place the end of the blue tube into an outdoor drain, until the system has run for at least (5) minutes.

IMPORTANT: Ensure the ends of the Red Tube and Blue Tube do not become submerged below the waterline in the large bucket or sink.



Continue setup with "Regular Use - Continued" on page 21.

Regular Use - Continued

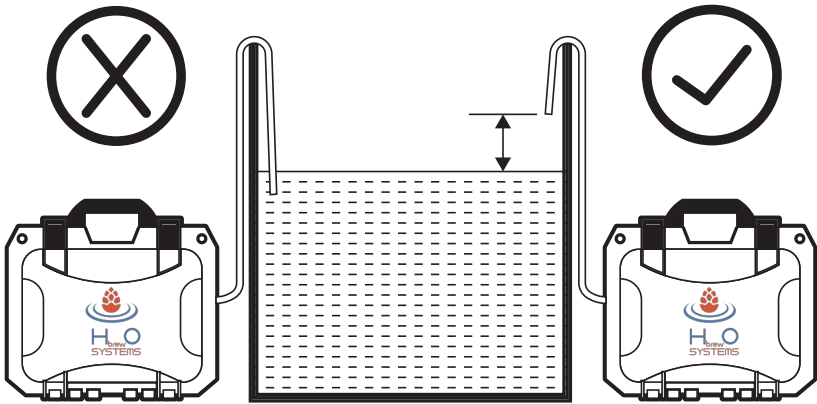
- **If the BrewRO™ Float Valve has been purchased, follow steps 1-3, otherwise, skip to step 4.**
1. Connect the blue tube to the BrewRo™ Float Valve by pushing it into the fitting and pulling lightly to ensure a proper connection.
 2. Connect the float valve to the airlock hole on the fermentation bucket ensuring it has room to move without being impeded by the bucket.
 3. The system will automatically shut off when the float valve is engaged at the set water height.

IMPORTANT: This DOES NOT shut the water off from the source.

Do not allow the system to remain shut off for an extended period of time without the water source shut off.

Continued on next page...

IMPORTANT: Ensure the ends of the Red Tube and Blue Tube do not become submerged below the waterline in the large bucket or sink.



4. Very slowly, turn the water on about half way.
5. Wait (5) minutes to ensure that there are no leaks in the BrewRO™ system.
6. Place the end of the blue hose into the fermentation bucket.

7. Very slowly, turn the water on to full.
8. Wait (5) minutes to ensure there are no leaks in the system.
9. It may take up to (5) minutes for pressure to build in the system.

IMPORTANT: LEAKS MAY OCCUR DURING PRESSURIZATION

If a leak occurs during pressurization, shut the water off completely, and wait (5) minutes for the system to depressurize before disconnecting any parts. Retest the tube connections.

10. Water will begin flowing from both the blue and red tubing.
11. Please note that the blue tubing is **Treated Water** and the Red Tubing is **Rejected Water**.
12. Always monitor the system when it is in use to ensure nothing is leaking or overflowing.
13. Once a desired amount of treated water is reached, and before disconnecting anything from the BrewRO™ System, turn the water source off and allow the system to depressurize for (5) minutes.
14. Disconnect all exterior tubing and connector pieces.
15. Store system closed with the connector side facing down for (10) minutes to ensure most of the excess water has drained out.

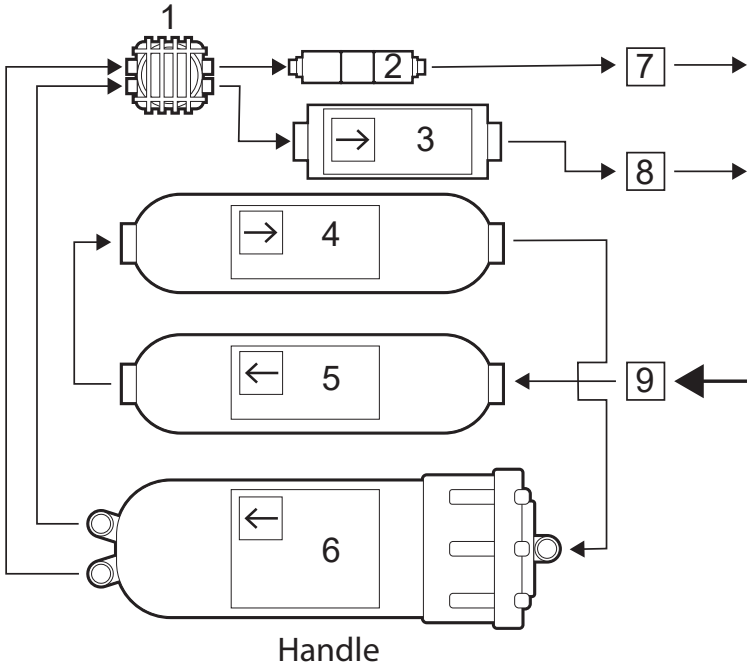
16. Initial setup is complete. Please follow proper storage requirements.

Storage of BrewRO™ System

To ensure that BrewRO™ System is properly drained for storage, do the following.

1. Turn the water off and allow the BrewRO™ System to depressurize for (5) minutes.
2. Disconnect all exterior tubing and connector pieces.
3. Store BrewRO™ System closed with the connector side facing down for (10) minutes to ensure most of the excess water has drained out.
4. Insert plugs into BrewRO™ System connectors.
5. The BrewRO™ System is now ready to be stored.

Filter Changes



Part No.	Part Name	Inputs	Outputs
1	Auto Shutoff Valve	6	2 & 3
2	Flow Regulator	1	7
3	Deionization Filter	1	8
4	Carbon Filter	5	6
5	Sediment Filter	9	4
6	Reverse Osmosis Membrane and Housing	5	1
7	Output Nozzle to Blue Hose	2	Treated Water
8	Output Nozzle to Red Hose	3	Rejected Water
9	Input Nozzle for White Hose	Water Source	5

- **The Carbon Filter must be replaced once every (12) months, (2,000) gallons or when treated water TDS Exceeds (3) PPM.**
- **The Sediment Filter must be replaced once every (12) months, (2,000) gallons or when treated water TDS Exceeds (3) PPM.**
- **The Deionization Filter (DI Filter) must be replaced every (6) months, (1,000) gallons or when treated water TDS exceeds (3) PPM.**
- **The Reverse Osmosis Membrane (RO Filter) must be replaced every (2) years or when treated water TDS Exceeds (3) ppm after other filters have been changed.**

1. Ensure the System is completely disconnected from the source water.
2. Allow (5) minutes for the system to depressurize before continuing to disconnect any components.
3. While holding back the rim of the fitting, remove the filter to be changed by pulling the tubes from the filter
4. Remove the filter from the foam insert.

IMPORTANT: Note the direction of flow as the new filter will need to be installed in the same direction.

5. If installing a sediment filter or DI Filter, unscrew the fittings on each end of the old filter with a 11/16" wrench.

6. Hand screw the removed fittings on to both ends of the new filter. Ensure the O-ring is still attached and not broken to the fitting, if the O-ring is broken, a replacement must be ordered from HbrewO Systems™ before use of the system.
7. Tighten the fitting with a 11/16" wrench until the O-ring is tightly fixed between the filter and fitting.
8. Connect the new filter to the system by pushing the existing hoses into both ends of the filter. Pull lightly on each end to ensure the filter is connected properly.
9. Ensure that the new filter is faced the correct direction for flow and in the correct place. Please refer to the diagram and filter flow arrow.
10. Follow instructions "First Time Set-Up" on page 6.

RO Membrane Replacement

1. Ensure the system is completely disconnected from the source water.
2. Allow (5) minutes for the system to depressurize before continuing to disconnect any components.
3. While holding back the rim of the fitting, remove the filter to be changed by pulling the tubes from the filter
4. Remove the filter from the foam insert.

IMPORTANT: Note the direction of flow as the new filter will need to be installed in the same direction.

5. Unscrew the cap of the RO Housing.
6. With a pair of pliers, remove the RO membrane by grabbing the plastic end, and slowly pulling the RO membrane from the housing.
7. With the housing open, sanitize the inside of the housing and housing cap with diluted, food-grade sanitizer.
8. Remove the new RO membrane from the plastic and insert it slowly into the housing.
9. When the end is reached, slowly and firmly twist the membrane until it sets into the housing.

IMPORTANT: Do NOT screw the cap on to the housing until the membrane is fully inserted.

10. Screw the RO housing cap back onto the housing ensuring the O-ring is still in place and hand-tighten the cap firmly on to the housing.

11. Connect the new filter to the system by pushing the existing hoses into both ends of the filter. Pull lightly on each end to ensure the filter is connected properly.
12. Ensure that the new filter is faced the correct direction for flow and in the correct place. Please refer to the diagram and filter flow arrow.
13. Follow instructions "First Time Set-Up" on page 6.

F.A.Q

My tubing is too long, can I cut it?

Yes, you can cut your tubing to size, ensure you cut with a sharp pair of scissors and that you do not cut at an angle.

There is more rejected water than treated water, is this normal?

Yes, this is normal. The rejected water to treated water ratio varies with your water quality but generally is around 4:1 ratio.

The BrewRO™ system seems to be running slowly is this normal?

The system should produce around 4 gallons per hour. It will vary with water quality, water pressure, and temperature.

My treated water is over 3 PPM, what do I need to do?

If your system is new, ensure that you properly flushed it, see "First Time Set-Up" on page 8. If your system is over 6 months old, you will need to replace the deionization filter. If your system is over 12 months old, you will need to replace the carbon and sediment filters. Make sure your system is properly connected and that your water pressure is within range.

What maintenance do I need to do with the BrewRO™?

Always follow the BrewRO™ instructions and storage requirements. Disinfect your blue line and float valve before and after each use. Replace filters properly (see "Filter Changes" on page 26).

Where do I buy Replacement Filters?

You can purchase replacement filters from HbrewO Systems™ at HbrewO.com. Only use HbrewO Systems™ filters in the BrewRO System.

What should I do if my water source pressure is too low?

You can purchase a booster pump from HbrewO Systems™ at HbrewO.com.

Where can I find a Drinking Water Safe Hose?

You can purchase a Drinking Water Safe Hose from HbrewO Systems™ at HbrewO.com.

Warranty

- The BrewRO™ System is covered by a 18 month limited warranty.
- The warranty does not cover the carbon, sediment or DI filters.
- The warranty is voided if proper filter changes are not performed as described in the manual. If the system was used for anything other than its intended use, components not manufactured by HbrewO Systems™ or modified.
- HbrewO Warranty only covers the replacement components. No labor is covered.
- HbrewO Systems™ reserves the right to refuse warranty claims based on any of the above scenarios.

Contact Us

For Troubleshooting or warranty info please email us at:
support@HbrewO.com

To purchase replacement filters or other accessories, leave feedback, or read our blog, go to **HbrewO.com**.

Notes

Notes

Notes

Notes

Manufactured for:



HbrewO Systems - Atlanta, GA - www.hbrewo.com

© 2016, HbrewO Systems - Printed in the United States of America

HbrewO_053116_EL